

DriveRight®



CarChip Fleet & CarChip Fleet with Alarm Installation Instructions

This manual provides installation instructions for CarChip Fleet (# 8240) and CarChip Fleet with Alarm (# 8244). CarChip Fleet with Alarm provides an audible warning to the driver whenever safe driving limits are exceeded.

Refer to the *DriveRight Fleet Management Software's (FMS) Getting Started Guide, User's Manual*, and the software's online Help for the additional information necessary to set up and use your CarChip Fleet or CarChip Fleet with Alarm.

Note: The *DriveRight FMS User's Manual* is in the Adobe Acrobat file "User's Manual.pdf" located in the program folder.

Before Installing CarChip

Before installing CarChip Fleet or CarChip Fleet with Alarm in your vehicle, we recommend that you add the device to the database in the *DriveRight Fleet Management Software (FMS)* and check the CarChip settings.

1. Connect CarChip to your computer. See instructions on page 3.
2. Add the CarChip to your DriveRight FMS database.

Note: Refer to the *DriveRight FMS Help* or *User's Manual* for instructions on using DriveRight FMS.

3. In *DriveRight FMS*, verify the following CarChip settings and change if necessary:
 - Time and date
 - Engine performance data parameters
 - Speed bands
 - Acceleration limits
 - Deceleration limits
 - LED State (Controls both the LED and alarm on CarChip Fleet with Alarm)
4. Use the **Clear CarChip Memory** command in the *DriveRight FMS* CarChip menu to clear the device's memory. This step ensures that none of the manufacturing test data remains when you put your CarChip into service.

Configuring CarChip Fleet with Alarm

1. Select the **Set CarChip LED State** command in *DriveRight FMS* CarChip menu. The **Set CarChip LED State** command controls the alarm and LED functions.
2. Select Enable to turn ON the alarm and LED, or select Disable to turn OFF the alarm and LED.

The alarm functions in the following manner:

- One beep when initially connected to the vehicle's OBDII port.
- Two beeps when the vehicle's OBDII protocol is identified.
- Five beeps for each acceleration & deceleration violation.
- Continuous beeps when violating the speed limit.

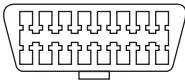
Note: The LED functions the same way in both CarChip Fleet models.

Installing CarChip

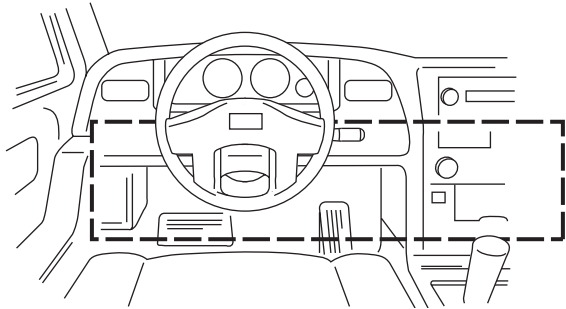
Use these instructions to install CarChip in your vehicle's OBDII port.

1. Find the OBDII port on your vehicle.

The OBDII port will be located within 3 feet of the steering wheel within or near the general area indicated by the dotted line in the illustration below. The port should be easily accessible to a person in the driver's seat.



OBD II Port

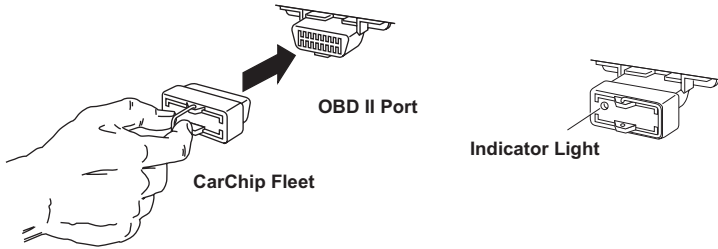


If you have trouble finding the OBDII port, be sure to check the following areas:

- Under the dash
- In front of the passenger seat
- Behind the ash tray
- Behind a small access panel in the dash
- In or around the center console

2. Plug CarChip into the OBDII port checking to make sure the indicator light blinks when first connected.

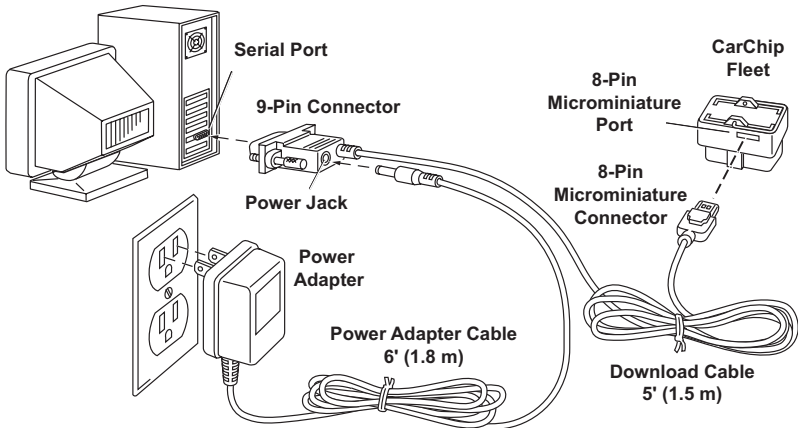
Note: The indicator light will always blink when initially connected to a vehicle. Unless the indicator has been enabled via the software, it will stop blinking once it has established communications with the OBDII computer.



Connecting CarChip Fleet to Your Computer

Connect CarChip Fleet to a serial port on your computer using the hardware and cables as shown below.

1. Locate a free serial port on the back of your computer and insert the 9-pin connector of the download cable into the port.



2. Plug the power adapter cable into the power jack on the 9-pin connector.
3. Plug the power adapter into an AC outlet.
4. Plug the 8-pin microminiature connector into the port on the CarChip Fleet.

Contacting Davis Technical Support

If you have questions, or encounter problems installing or operating your CarChip, first check the troubleshooting information in the DriveRight FMS Help and User's Manual. If you are unable to resolve the problem or if you have questions about CarChip, please contact Davis Technical Support.

Note: Please do not return items to the factory for repair without prior authorization.

Phone Support:

(510) 732-7814 – Monday – Friday, 7:00 a.m. – 5:30 p.m. Pacific Time.

(510) 670-0589 – Fax to Technical Support.

Email Support:

support@davisnet.com – E-mail to Technical Support.

info@davisnet.com – E-mail to Davis Instruments.

Web Support:

www.davisnet.com – Copies of User Manuals are available on the "Support" page. Watch for FAQs and other updates.

FCC Part 15 Class B Registration Warning

This equipment has been tested and found to comply with the limits for a Class B digital device, pursuant to Part 15 of the FCC Rules. These limits are designed to provide reasonable protection against harmful interference in a residential installation. This equipment generates, uses, and can radiate radio frequency energy and, if not installed and used in accordance with the instructions, may cause harmful interference to radio communications.

However, there is no guarantee that interference will not occur in a particular installation. If this equipment does cause harmful interference to radio or television reception, which can be determined by turning the equipment on and off, the user is encouraged to try to correct the interference by one or more of the following measures:

- Reorient or relocate the receiving antenna.
- Increase the separation between the equipment and receiver.
- Connect the equipment into an outlet on a circuit different from that to which the receiver is connected.
- Consult the dealer or an experienced radio/TV technician for help.

Changes or modification not expressly approved in writing by Davis Instruments may void the warranty and void the user's authority to operate this equipment.

Copyright © 2002-2003 Davis Instruments Corp. All rights reserved.

CarChip Fleet & CarChip Fleet with Alarm Installation Instructions

Rev C (September 30, 2003)

Product Numbers: 8240 & 8244

Part Number: 7395.183

This product complies with the essential protection requirements of the EC EMC Directive 89/336/EC.

The term "IC:" before the radio certification number only signifies that Industry of Canada technical specifications were met.



3465 Diablo Avenue, Hayward, CA 94545-2778 U.S.A.

510-732-9229 • Fax: 510-732-9188

E-mail: info@davisnet.com • www.davisnet.com