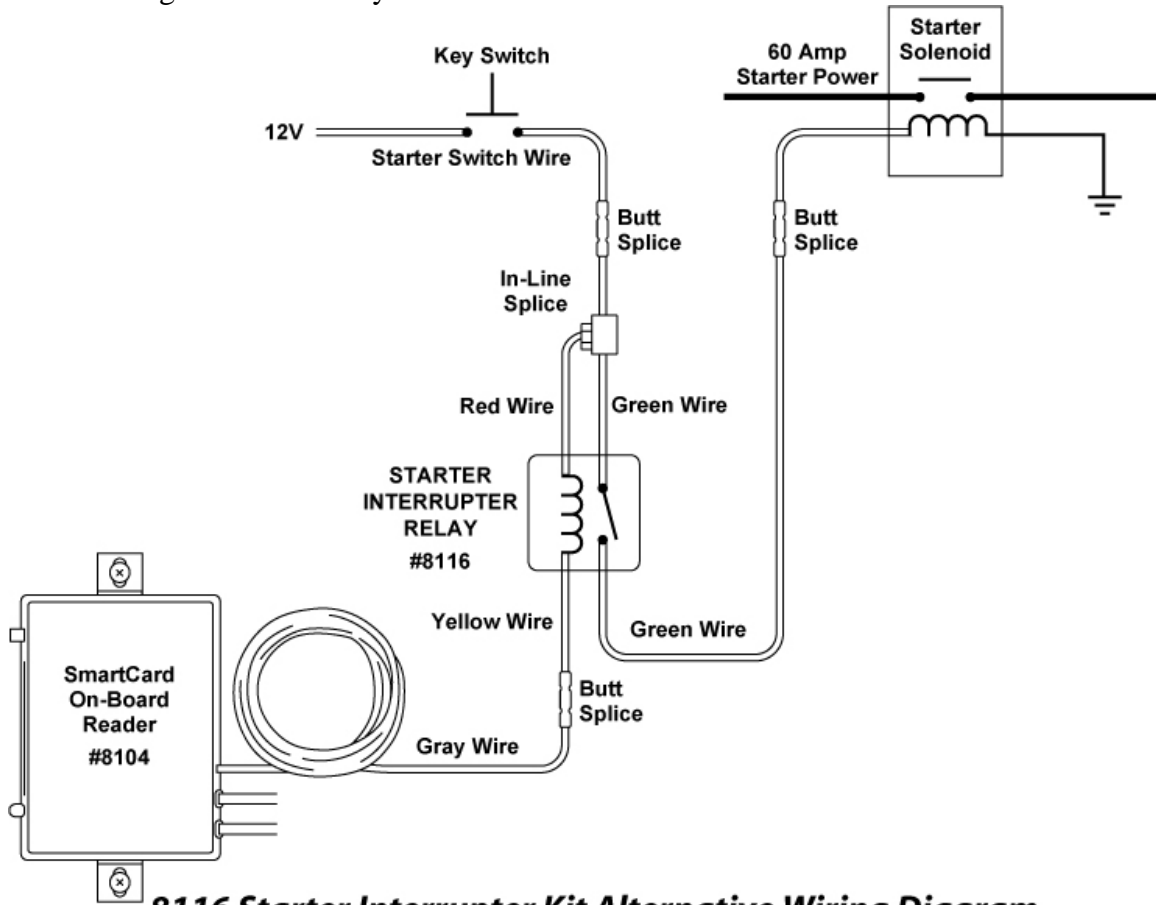


Addendum to 8116 Starter Interrupter Kit

The following is an alternative wiring diagram that may be used to install the Starter Interrupter Kit. This wiring method is recommended because it is simpler and allows the Starter Interrupter Kit to prevent starting in more situations than the diagram on p.12 of the DriveRight SmartCard System User's Guide.



Product Number: 8116

Part Number: 07395.211 Rev. A

© 2004 Davis Instruments Corp. All Rights Reserved.

DAVIS

DAVIS INSTRUMENTS

3465 Diablo Avenue, Hayward, CA 94545-2778, USA

Email: support@davisnet.com

Website: www.davisnet.com